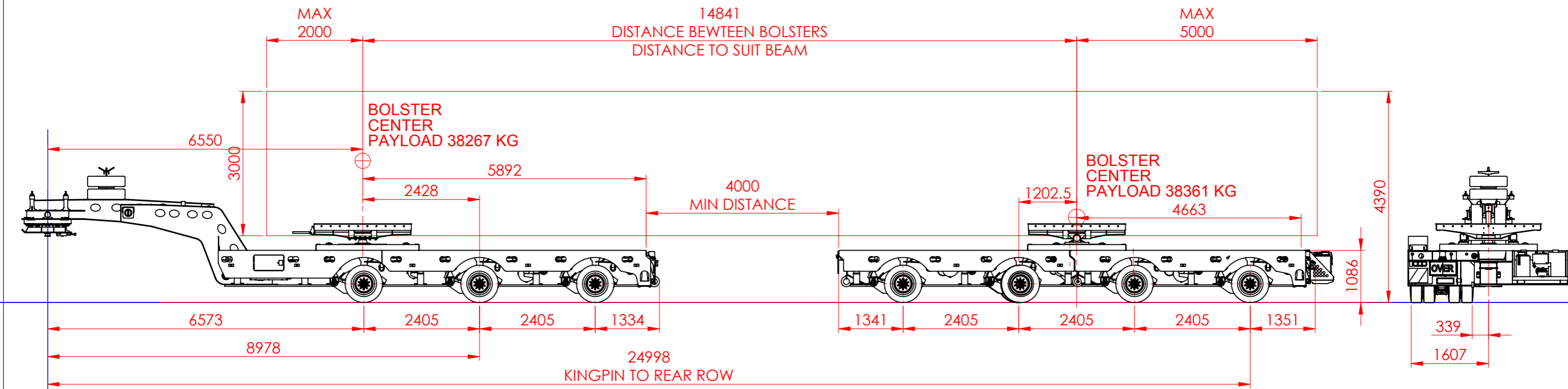


3350 CLOSED  
 3650  
 3950  
 4250  
 4550  
 4880 OPEN



FRONT BOLSTER  
 • FULL OSCILLATION

REAR BOLSTER  
 • FORWARD TO BACK OSCILLATION

TRAILER WIDTH	TRACK INNER	TRACK OUTER
3350	678	3214
3650	978	3514
3950	1278	3814
4250	1578	4114
4550	1878	4414
4880	2208	4744

PART NUMBER # <b>286-1006</b>											
DESCRIPTION: <b>7 ROWS WITH BEAM</b>											
QTY: X											
MATERIAL: X											
PC	PR	LC	MA	SF	WD	\$					

**TOLERANCE** : ± 0.5mm UNLESS OTHERWISE STATED  
 WIRE BUFF ALL STEEL COMPONENTS PRIOR TO WELDING

THIS DRAWING IS © COPYRIGHT AND IS THE PROPERTY OF TIDD ROSS TODD LTD. IT IS FURNISHED TO YOU FOR CONFIDENTIAL INFORMATION PURPOSES ONLY AND IS NOT TO BE DISCLOSED TO ANYONE ELSE OR USED FOR MANUFACTURING PURPOSES WITHOUT THE EXPRESS WRITTEN PERMISSION OF TIDD ROSS TODD LTD.

**WELDING**: ALL INFORMATION SHALL COMPLY WITH NZ/AS 1554:2000 PT 1 CATEGORY SP UNLESS OTHERWISE STATED AND SHALL BE WELDED TO A QUALIFIED PROCEDURE, BY A WELDER QUALIFIED FOR THE APPROPRIATE POSITION AND SUPERVISED BY A WELDING SUPERVISOR

REV	DATE	COMMENT
D	19/09/2017	UPDATED BOLSTER POSITIONS
C	09/08/2017	ADDED TRACK WIDTHS

**TIDD ROSS TODD LIMITED**

48 Maui Street  
 Hamilton, New Zealand  
 Telephone +64 7 849 4839  
 Fax +64 7 849 3628  
 Email : trt@trt.co.nz  
 ISO 9001

NAME	DATE	TITLE
DRAWN: BJ	4/7/17	7 ROWS WITH BEAM~ A + B + C + BEAM
CHK'D: -	-	
APPV'D: -	-	
DO NOT SCALE DRAWINGS IN mm's		STATUS - M
SHEET 1 OF 1		DWG NO. 286-1006
SCALE: 1:80		REVISION D